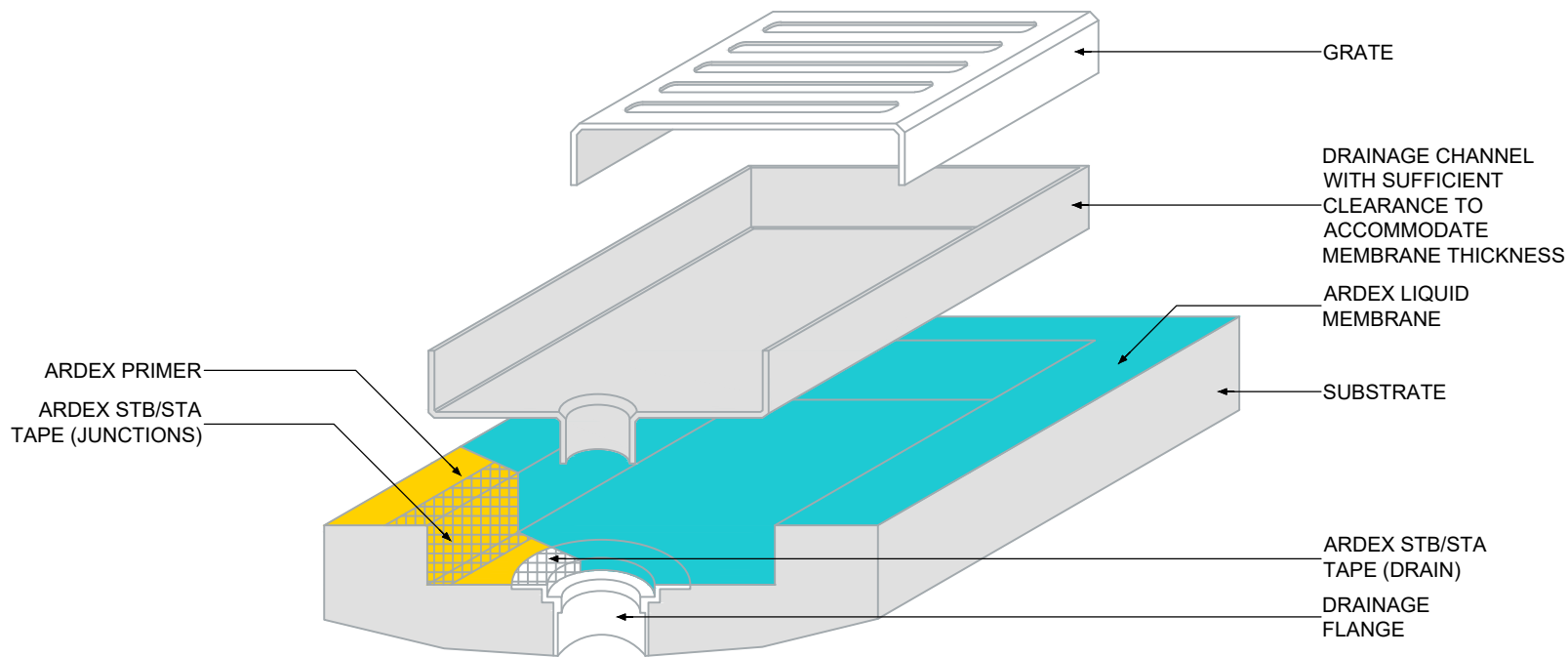


**DRAINAGE CHANNEL WITH
ARDEX LIQUID MEMBRANE
& ARDEX STB / STA TAPE**

NOTES

- ARDEX LIQUID MEMBRANE include:
- ARDEX WPM 002
 - ARDEX WPM 155 RAPID PLUS

For ARDEX LIQUID MEMBRANE application, the prepared substrate must be primed prior to ARDEX STB / STA Tape being installed.



ARDEX AUSTRALIA
www.ardexaustralia.com

The technical details, recommendations & other information contained in this drawing is given in good faith & represents the best of our knowledge and experience at the time of design. It is your responsibility to ensure that our products are used used correctly in accordance with any applicable Australian Standard, our instructions & recommendations are only for the uses they are intended. We also reserve the right to update information without prior notice to reflect our ongoing research and development program. Country specific recommendations, depending on local standards, codes of practice, building regulations and industry guidelines may effect specific installation recommendations. The supply of our products and services are also subject to certain terms, warranties & exclusions which are available to you on request

FILE NAME	DRAINAGE CHANNEL WITH ARDEX LIQUID MEMBRANE & ARDEX STB / STA TAPE
DRAWN	08/02/2024 by AR
CHECKED	ADAM MCGLONE
SIZE	A4

SCALE	NTS
DRAWING	D55